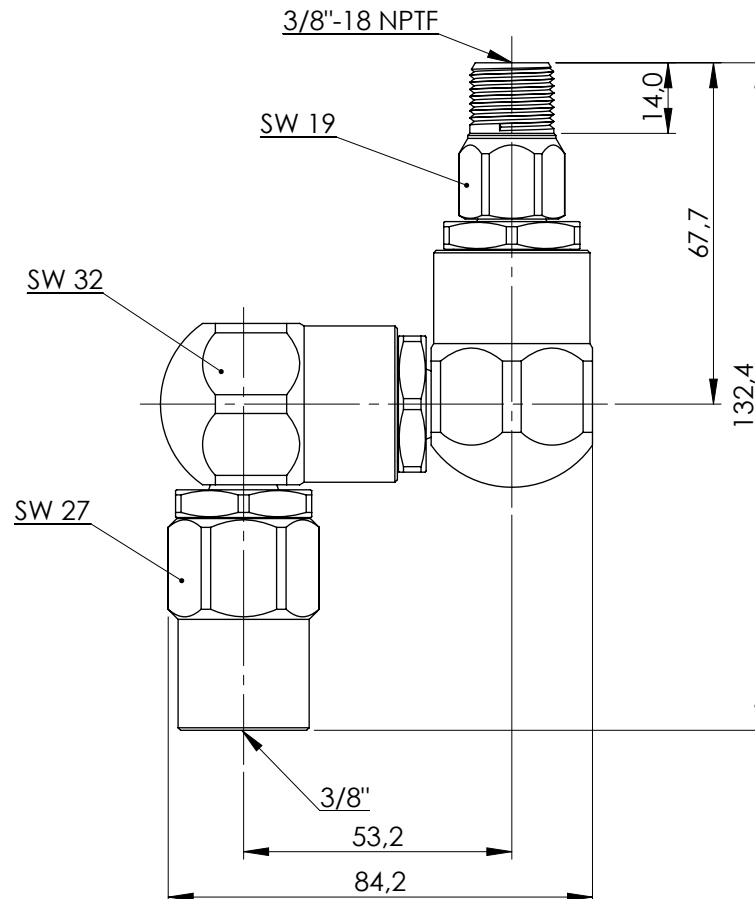


Ball bearing Z - Joint



GK 3136/00 other sizes on request

Steel parts surface Zn - Ni
 Axle steel hardened and ground
 Hardened steel threaded bush
 Thrust ball bearings for low torque
 Seal:
 - dynamic O.Ring NBR + Teflon support ring
 O.Ring against external influences

Operating conditions:

Medium: Hydraulic oil
 (Dirt particles size up to max. 25 μ)
 Working pressure: min. 10bar up to max. 350bar
 Temperature: from -30°C to +95°C
 Suitable for rotary and oscillating movements to a
 sliding speed maximum 0,025m/sec., (but not constant)
 (Rotary speed is dependent on the shaft diameter)

Issue: 07/2014
 Technical changes are reserved to us.