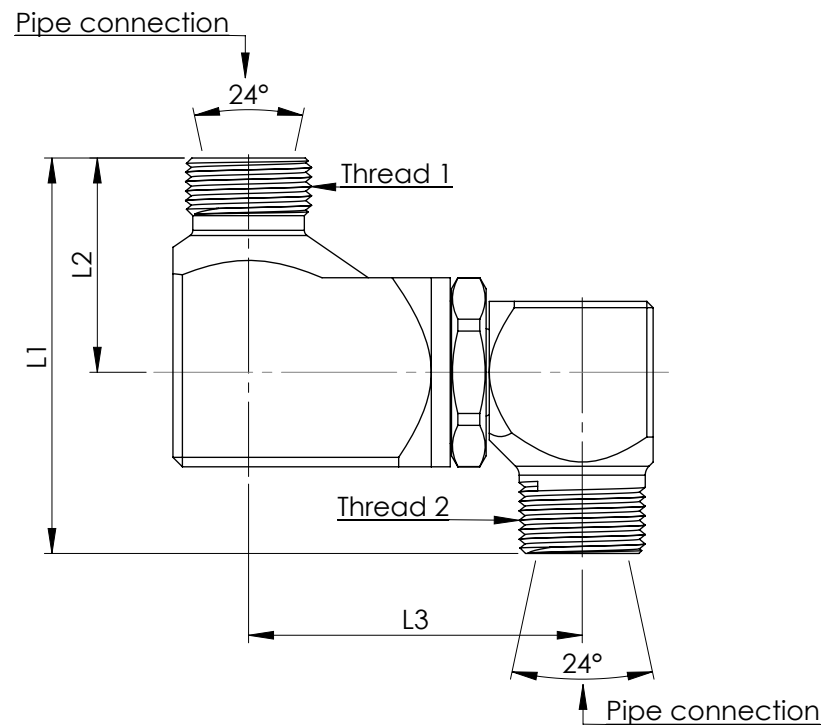


## ball bearing double angle swivel N - Series



Steel parts surface Zn - Ni  
 Axle steel hardened and ground  
 Hardened steel threaded bush  
 Thrust ball bearings for low torque  
 Seal:  
 - dynamic O.Ring NBR + Teflon support ring  
 O.Ring against external influences

**Operating conditions:**  
 Medium: Hydraulic oil  
 (Dirt particles size up to max. 25µ)  
 Working pressure: min. 10bar up to max. 350bar  
 Temperature: from -30°C to +95°C  
 Suitable for rotary and oscillating movements to a sliding speed maximum 0,025m/sec., (but not constant)  
 (Rotary speed is dependent on the shaft diameter)

	L1	L2	L3	DN	SW 1	SW 2	Thread 1	Thread 2	pipe conn.	max. pressure
GK 1993/00N	63,0	34,0	53,0	7,5	30	22	M20 x 1,5	M20 x 1,5	12S	350bar
GK 1994/00N	67,0	34,0	53,0	12	30	30	M24 x 1,5	M24 x 1,5	16S	350bar
GK 1995/00N	87,5	47,5	76,0	16	45	40	M30 x 2,0	M30 x 2,0	20S	350bar
GK 1996/00N	94,5	52,5	76,0	19	45	40	M36 x 2,0	M36 x 2,0	25S	350bar
GK 1997/00N	114,5	65,5	92,5	25	65	60	M42 x 2,0	M42 x 2,0	30S	250bar
GK 1998/00N	122,5	65,5	92,5	32	65	60	M52 x 2,0	M52 x 2,0	38S	250bar

Issue: 07/2014  
 Technical changes are reserved to us.