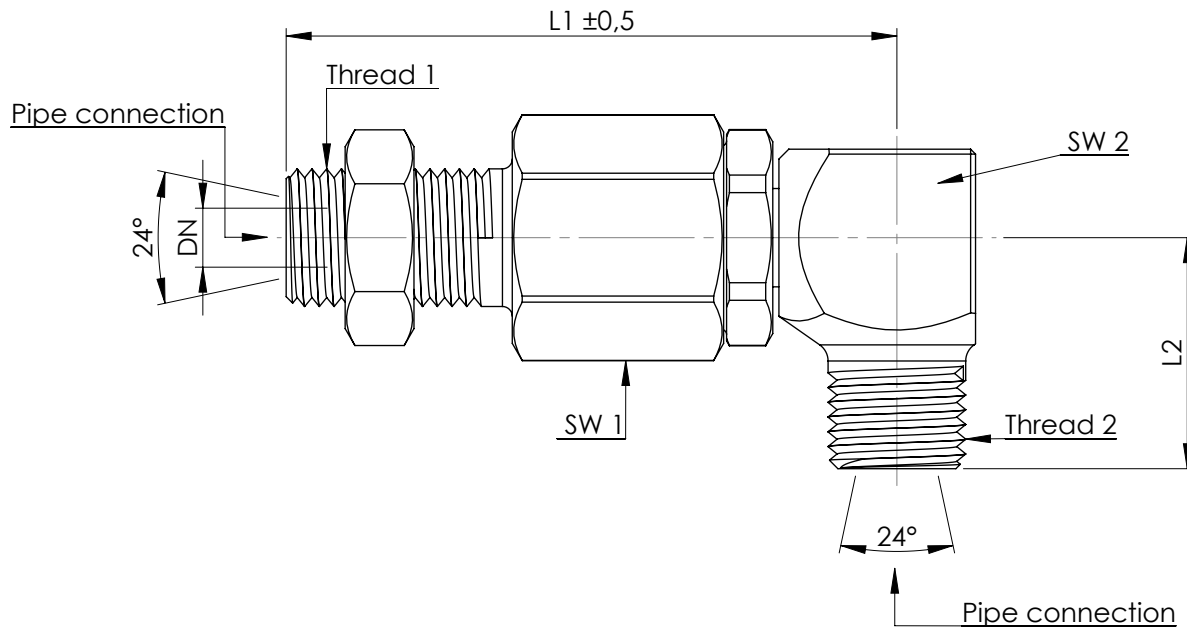


## Ball bearing swivel N - Series



Outer part and adapter steel surface Zn - Ni  
Axle steel hardened and ground  
Hardened steel threaded bush  
Thrust ball bearings for low torque  
Seal:  
- dynamic O.Ring NBR + Teflon support ring  
O.Ring against external influences

### Operating conditions:

Medium: Hydraulic oil  
(Dirt particles size up to max. 25µ)  
Working pressure: min. 10bar up to max. 350bar  
Temperature: from -30°C to +95°C  
Suitable for rotary and oscillating movements to a sliding speed maximum 0,025m/sec., (but not constant)  
(Rotary speed is dependent on the shaft diameter)

	L1	L2	DN	SW 1	SW 2	Thread 1	Thread 2	Pipe con.	max. pressure
	62,5	23,5	03	22	20	M14 x 1,5	M14 x 1,5	6S	350 bar
	62,5	23,5	06	22	20	M16 x 1,5	M16 x 1,5	8S	350 bar
	74,0	29,0	7,5	30	22	M20 x 1,5	M20 x 1,2	12S	350bar
	75,0	33,0	11,5	30	30	M24 x 1,5	M24 x 1,5	16S	350bar
*	106,0	39,5	16	41	40	M30 x 2,0	M30 x 2,0	20S	350bar
*	107,0	42,0	18	41	36	M36 x 2,0	M36 x 2,0	25S	350bar
*	127,0	49,0	25	60	60	M42 x 2,0	M42 x 2,0	30S	250bar
*	127,5	57,0	32	60	60	M52 x 2,0	M52 x 2,0	38S	250bar

\* Outer part of round material with milled hexagon

Issue: 07/2014  
Technical changes are reserved to us.