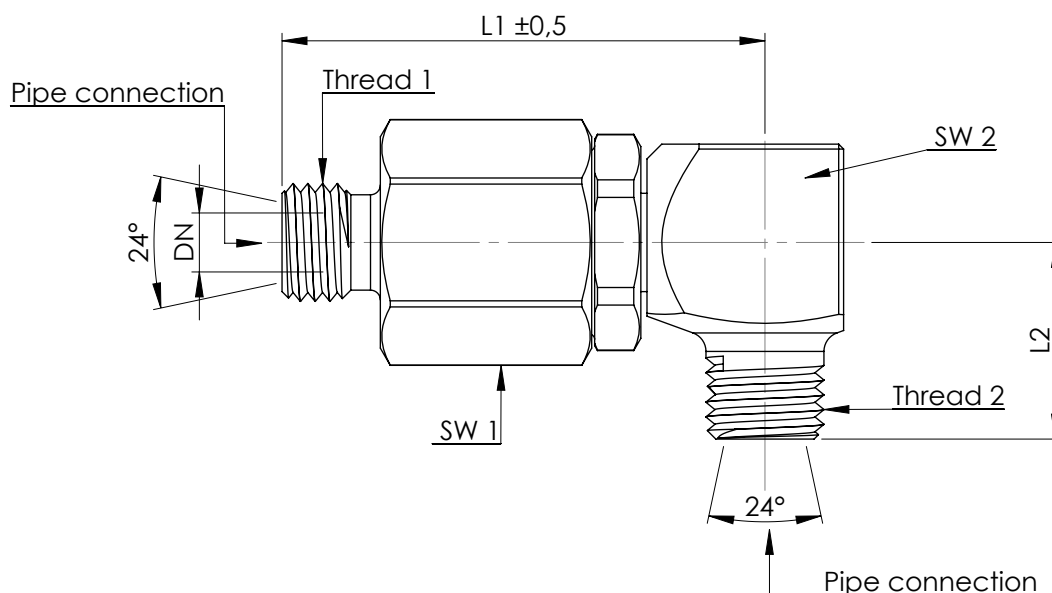


Ball bearing swivel N - Series



Outer part and adapter steel surface Zn - Ni
 Axle steel hardened and ground
 Hardened steel threaded bush
 Thrust ball bearings for low torque
 Seal:
 - dynamic O.Ring NBR + Teflon support ring
 O.Ring against external influences

Operating conditions:

Medium: Hydraulic oil
 (Dirt particles size up to max. 25µ)
 Working pressure: min. 10bar up to 350bar
 Temperature: from -30°C to +95°C
 Suitable for rotary and oscillating movements to a
 sliding speed maximum 0,025m/sec., (but not constant)
 (Rotary speed is dependent on the shaft diameter)

	L1	L2	DN	SW 1	SW 2	Thread 1	Thread 2	Pipe con.	max. pressure
GK 1960/00N	49,5	20,0	04	22	20	M12 x 1,5	M12 x 1,5	6L	350 bar
GK 1961/00N	49,5	22,5	06	22	20	M14 x 1,5	M14 x 1,5	8L	350 bar
GK 1962/00N	62,0	29,0	08	30	22	M16 x 1,5	M16 x 1,5	10L	350bar
GK 1963/00N	63,0	29,0	08	30	22	M18 x 1,5	M18 x 1,5	12L	350bar
GK 1964/00N	62,0	29,0	10	30	22	M22 x 1,5	M22 x 1,5	15L	350bar
* GK 1965/00N	77,5	36,0	15	41	40	M26 x 1,5	M26 x 1,5	18L	350bar
* GK 1966/00N	82,5	38,0	19	41	40	M30 x 2,0	M30 x 2,0	22L	350bar
* GK 1967/00N	79,5	38,0	19	41	40	M36 x 2,0	M36 x 2,0	28L	250bar
GK 1968/00N	105,0	45,0	30	60	60	M45 x 2,0	M45 x 2,0	35L	250bar
GK 1969/00N	100,5	45,0	32	60	60	M52 x 2,0	M52 x 2,0	42L	250bar

Issue: 07/2014
 Technical changes are reserved to us.