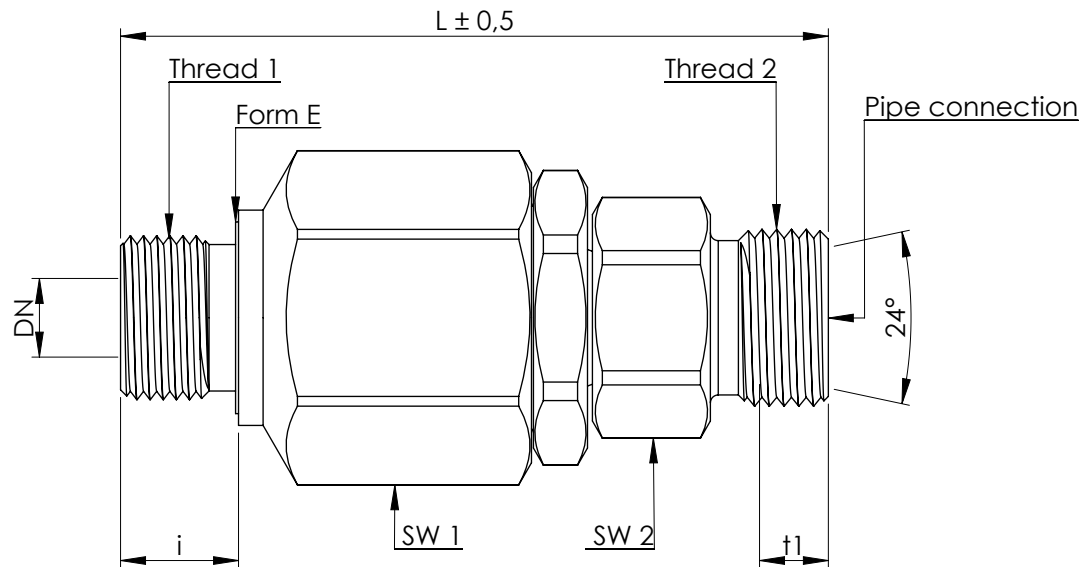


Ball bearing swivel N - Series



Steel parts surface Zn - Ni
Axle steel hardened and ground
Hardened steel threaded bush
Thrust ball bearings for low torque
Seal:
- dynamic O.Ring NBR + Teflon support ring
O.Ring against external influences

Operating conditions:
Medium: Hydraulic oil
(Dirt particles size up to max. 25 μ)
Working pressure: min. 10bar up to max. 350bar
Temperature: from -30°C to +95°C
Suitable for rotary and oscillating movements to a
sliding speed maximum 0,025m/sec., (but not constant)
(Rotary speed is dependent on the shaft diameter)

| | L | i | DN | SW 1 | SW 2 | Thread 1 | Thread 2 | t1 | Pipe connection | max. pressure |
|---------------|-------|----|----|------|------|-----------|-----------|------|-----------------|---------------|
| GK 1680/00N | 59,5 | 12 | 04 | 22 | 17 | AG 1/4" | M12 x 1,5 | 7,0 | 6L | 350 bar |
| GK 1681/00N | 59,5 | 12 | 06 | 22 | 17 | AG 1/4" | M14 x 1,5 | 7,0 | 8L | 350 bar |
| GK 1682/00N | 71,0 | 12 | 08 | 30 | 19 | AG 3/8" | M16 x 1,5 | 7,0 | 10L | 350 bar |
| GK 1683/00N | 72,0 | 12 | 08 | 30 | 22 | AG 3/8" | M18 x 1,5 | 7,0 | 12L | 350 bar |
| GK 1684/00N | 72,5 | 14 | 12 | 30 | 24 | AG 1/2" | M22 x 1,5 | 7,0 | 15L | 350 bar |
| *GK 1685/00N* | 90,5 | 16 | 15 | 41 | 36 | AG 3/4" | M26 x 1,5 | 7,5 | 18L | 350 bar |
| *GK 1685/67N* | 92,5 | 16 | 16 | 41 | 36 | AG 3/4" | M36 x 2,0 | 7,5 | 28L | 350 bar |
| *GK 1686/00N* | 90,5 | 16 | 16 | 41 | 36 | AG 3/4" | M30 x 2,0 | 7,5 | 22L | 350 bar |
| *GK 1687/00N* | 92,5 | 18 | 19 | 46 | 36 | AG 1" | M36 x 2,0 | 7,5 | 28L | 350 bar |
| *GK 1687/65N* | 90,5 | 18 | 15 | 46 | 36 | AG 1" | M26 x 1,5 | 7,5 | 18L | 350 bar |
| GK 1688/00N | 106,0 | 20 | 30 | 60 | 55 | AG 1 1/4" | M45 x 2,0 | 10,5 | 35L | 250 bar |
| GK 1689/00N | 108,5 | 22 | 32 | 60 | 55 | AG 1 1/2" | M52 x 2,0 | 11,0 | 42L | 250 bar |

* Outer part of round material with milled hexagon

Issue: 07/2014
Technical changes are reserved to us.