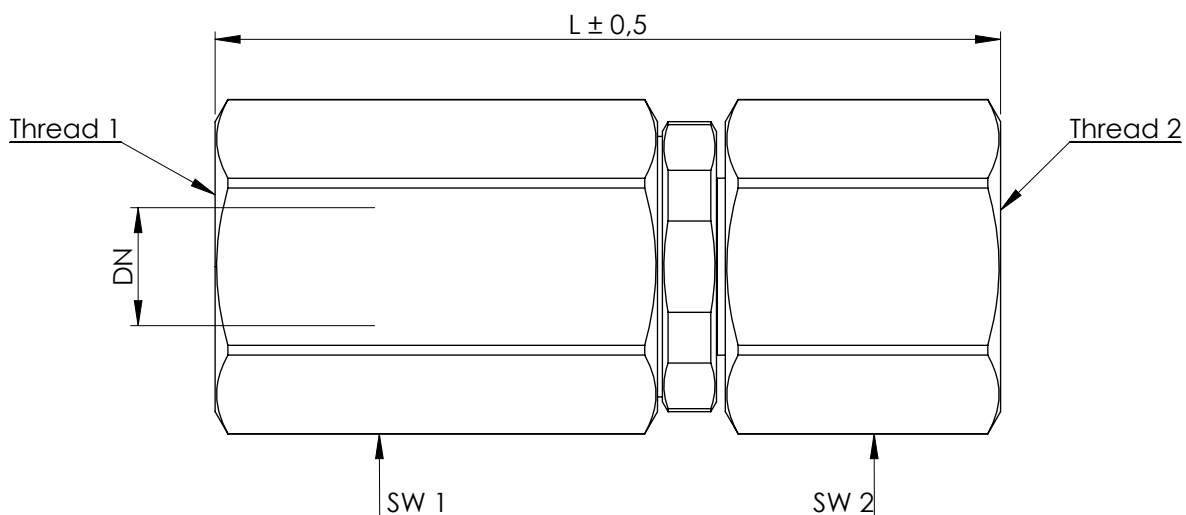


Ball bearing swivel N - Series



Steel parts surface Zn - Ni
Axle steel hardened and ground
Hardened steel threaded bush
Thrust ball bearings for low torque
Seal:
- dynamic O.Ring NBR + Teflon support ring
O.Ring against external influences

Operating conditions:
Medium: Hydraulic oil
(Dirt particles size up to max. 25 μ)
Working pressure: min. 10bar up to max. 350bar
Temperature: from -30°C to +95°C
Suitable for rotary and oscillating movements to a sliding speed maximum 0,025m/sec., (but not constant)
(Rotary speed is dependent on the shaft diameter)

	L	DN	SW 1	SW 2	Thread 1	Thread 2	max pressure
	69,0	06	22	22	IG 1/4"	IG 1/4"	350 bar
	74,5	08	30	27	IG 3/8"	IG 3/8"	350 bar
	80,0	11,5	30	30	IG 1/2"	IG 1/2"	350 bar
*	90,0	19	46	41	IG 3/4"	IG 3/4"	350 bar
**	94,0	19	46	41	IG 1"	IG 1"	350 bar
	113,0	30	60	55	IG 1 1/4"	IG 1 1/4"	250 bar
	115,0	30	60	60	IG 1 1/2"	IG 1 1/2"	250 bar

* Outer part of round material with milled hexagon

** Outer part of round material with milled hexagon
Adapter from round material with 2 milled wrench flats

Issue: 08/2016
Technical changes are reserved to us.