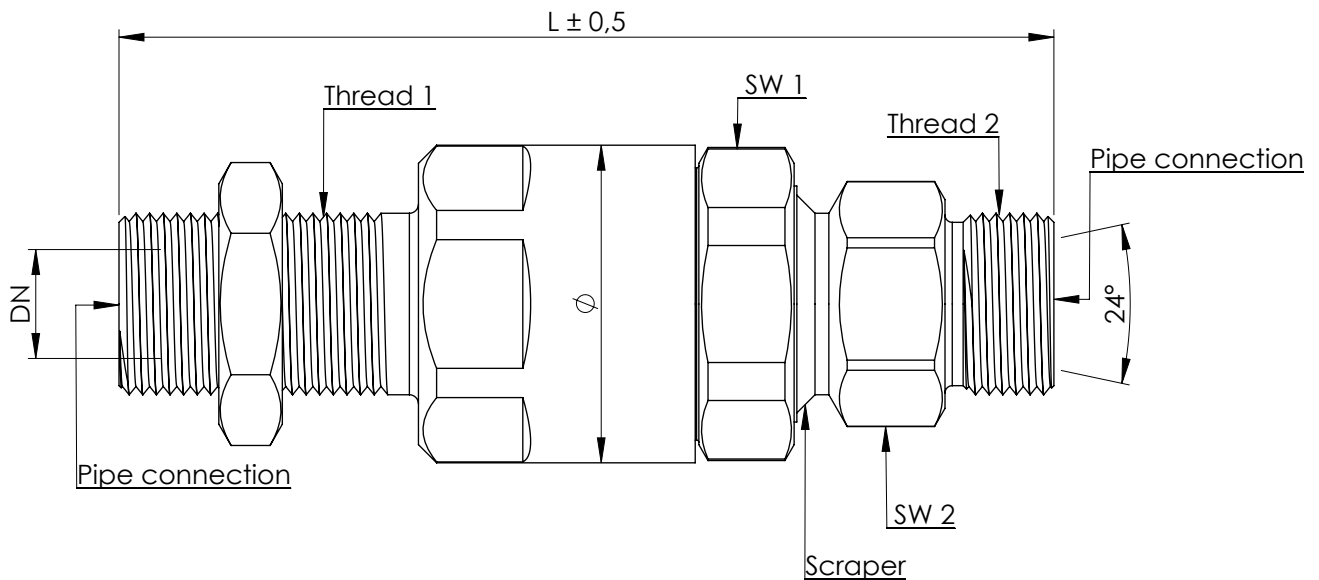


Ball bearing swivel S - Series



Steel parts surface Zn - Ni
 Axle of untreated steel
 Threaded bush with IGUS - plain GSM
 Thrust ball bearings for low torque
 Seal:
 - dynamic O.Ring NBR + Teflon support ring
 Scraper against external influences

Operating conditions:

Medium: Hydraulic oil
 (Dirt particles size up to max. 25 μ)
 Working pressure: min. 10bar up to max. 420bar
 Temperature: from -30°C to +95°C
 Suitable for rotary and oscillating movements to a
 sliding speed maximum 0,025m/sec., (but not constant)
 (Rotary speed is dependent on the shaft diameter)

	L	Ø	DN	SW 1	SW 2	Thread 1	Thread 2	Pipe connection	max. pressure
GK 1502/00S	97,5	29,5	05	27	19	M14 x 1,5	M14 x 1,5	6S	420 bar
GK 1505/00S	98,5	29,5	04	27	19	M16 x 1,5	M16 x 1,5	8S	420 bar
GK 1507/00S	103,5	29,5	07	27	19	M18 x 1,5	M18 x 1,5	10S	420 bar
GK 1510/00S	103,0	35,0	08	32	24	M20 x 1,5	M20 x 1,5	12S	420 bar
GK 1512/00S	104,0	35,0	10	32	24	M22 x 1,5	M22 x 1,5	14S	420 bar
GK 1514/00S	104,0	35,0	12	32	24	M24 x 1,5	M24 x 1,5	16S	420 bar
GK 1518/00S	134,0	49,5	16	46	36	M30 x 2,0	M30 x 2,0	20S	420 bar
GK 1522/00S	145,0	49,5	17	46	36	M36 x 2,0	M36 x 2,0	25S	420 bar

Issue: 07/2014
 Technical changes are reserved to us.