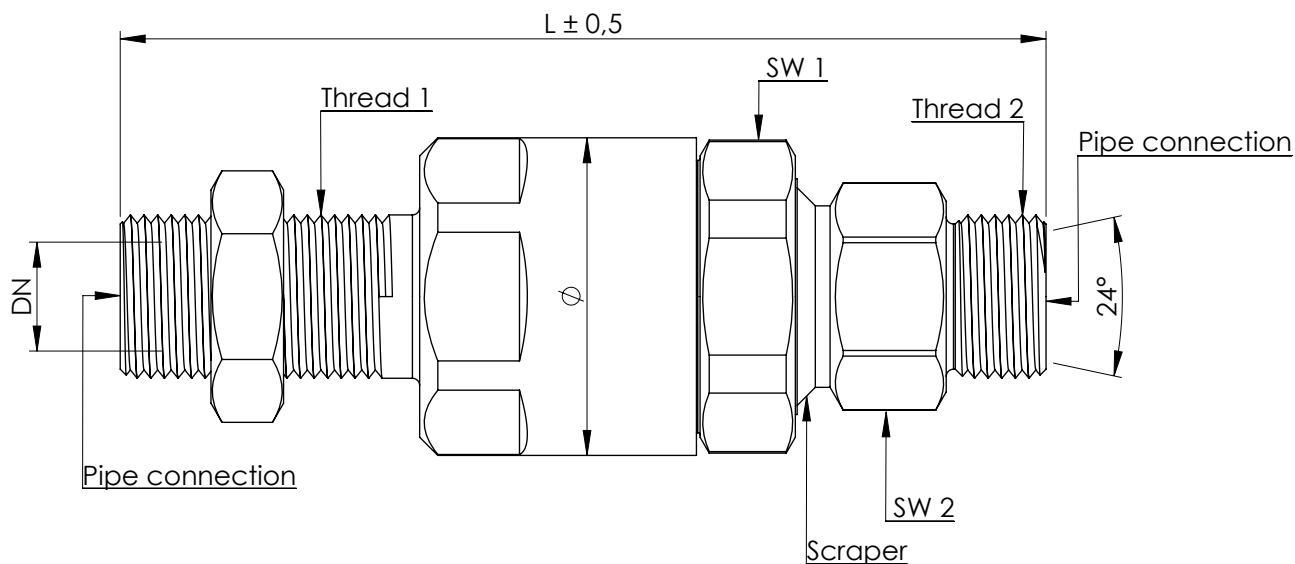


Ball bearing swivel S - Series



Steel parts surface Zn - Ni
 Axle of untreated steel
 Threaded bush with IGUS - plain GSM
 Thrust ball bearings for low torque
 Seal:
 - dynamic O.Ring NBR + Teflon support ring
 Scraper against external influences

Operating conditions:
 Medium: Hydraulic oil
 (Dirt particles size up to max. 25µ)
 Working pressure: min. 10bar up to 420bar
 Temperature: from -30°C to +95°C
 Suitable for rotary and oscillating movements to a sliding speed maximum 0,025m/sec., (but not constant)
 (Rotary speed is dependent on the shaft diameter)

	L	Ø	DN	SW 1	SW 2	Thread 1	Thread 2	Pipe connection	max. pressure
GK 1501/00S	92,5	29,5	08	27	19	M16 x 1,5	M16 x 1,5	10L	420 bar
GK 1503/00S	95,5	29,5	06	27	19	M14 x 1,5	M14 x 1,5	8L	420 bar
GK 1508/00S	102,0	35,0	10	32	22	M18 x 1,5	M18 x 1,5	12L	420 bar
GK 1511/00S	102,0	35,0	10	32	24	M22 x 1,5	M22 x 1,5	15L	420 bar
GK 1515/00S	129,5	49,5	15	46	36	M26 x 1,5	M26 x 1,5	18L	420 bar
GK 1520/00S	132,0	49,5	17	46	36	M30 x 2,0	M30 x 2,0	22L	420 bar
GK 1523/00S	132,5	54,5	25	50	41	M36 x 2,0	M36 x 2,0	28L	420 bar

Issue: 06/2015
 Technical changes are reserved to us.