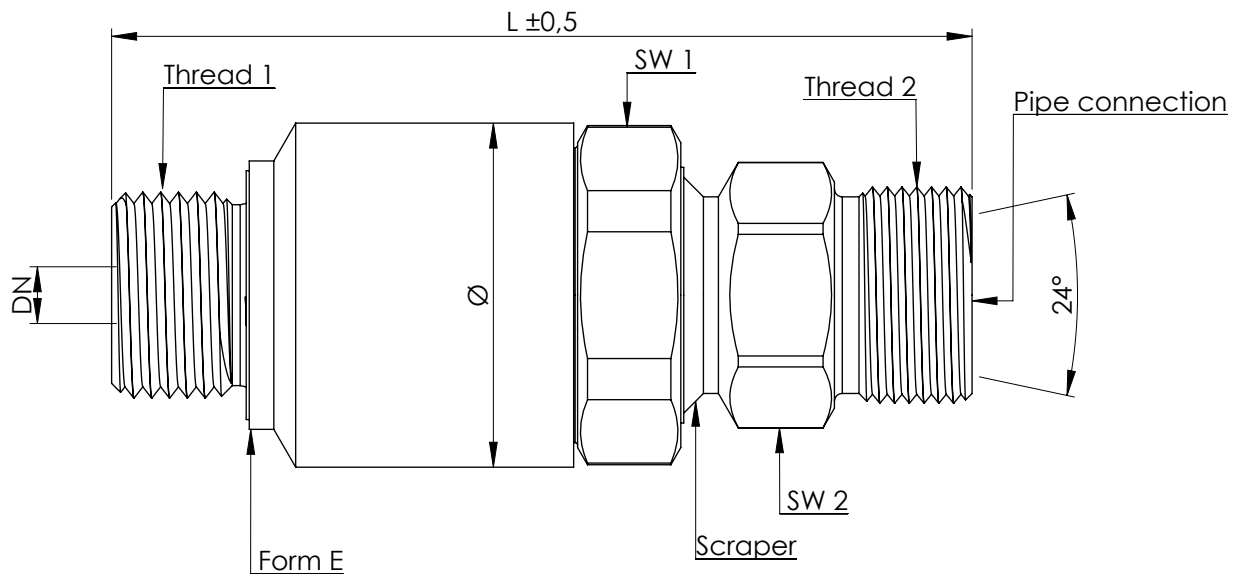


Ball bearing swivel S - Series



Steel parts surface Zn - Ni
 Axle of untreated steel
 Threaded bush with IGUS - plain GSM
 Thrust ball bearings for low torque
 Seal:
 - dynamic O.Ring NBR + Teflon support ring
 Scraper against external influences

Operating conditions:

Medium: Hydraulic oil
 (Dirt particles size up to max. 25µ)
 Working pressure: min. 10bar up to max. 420bar
 Temperature: from -30°C to +95°C
 Suitable for rotary and oscillating movements to a sliding speed maximum 0,025m/sec., (but not constant)
 (Rotary speed is dependent on the shaft diameter)

	L	Ø	DN	SW 1	SW 2	Thread 1	Thread 2	Pipe connection	max. pressure
GK 1436/00S	83,0	29,5	03	27	19	AG 1/4"	M14 x 1,5	6S	420 bar
GK 1449/00S	83,0	29,5	04	27	19	AG 1/4"	M16 x 1,5	8S	420 bar
GK 1446/00S	84,5	29,5	06	27	19	AG 3/8"	M18 x 1,5	10S	420 bar
GK 1456/00S	86,5	35,0	08	32	24	AG 1/2"	M20 x 1,5	12S	420 bar
GK 1458/00S	87,5	35,0	10	32	24	AG 1/2"	M22 x 1,5	14S	420 bar
GK 1460/00S	87,5	35,0	10	32	24	AG 1/2"	M24 x 1,5	16S	420 bar
GK 1465/00S	113,0	49,5	16	46	36	AG 3/4"	M30 x 2,0	20S	420 bar
GK 1471/00S	115,0	49,5	17	46	36	AG 3/4"	M36 x 2,0	25S	420 bar
GK 1479/00S	115,0	49,5	17	46	36	AG 1"	M36 x 2,0	25S	420 bar

* On the outer part is a hexagonal milled

Issue: 07/2014
 Technical changes are reserved to us.